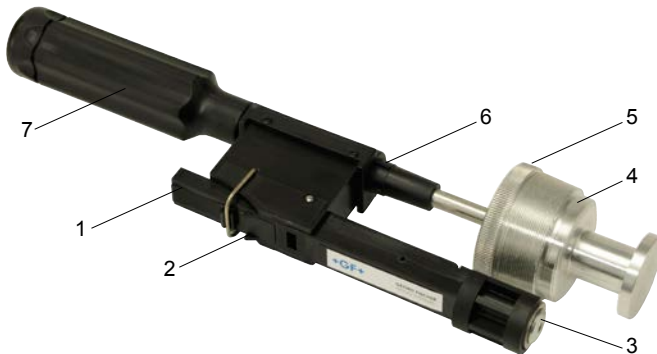


## 1. Intended use / Product description



- |   |               |
|---|---------------|
| 1 | Stripping arm |
| 2 | Holding strap |
| 3 | Knife edge    |
| 4 | Pipe insert   |
| 5 | Sprocket      |
| 6 | End stop      |
| 7 | Handle        |

The stripping device is used for stripping PE and PE-X pipe ends d 63.

The taper allows the stripping device to be positioned centrally in the fitting to ensure a precise stripping of the pipe surface.

Before the fusion process, the surface of pipe ends must be processed as specified in DVS 2207. For PE/PE-X pipes and pipe ends rotating scrapers are the suitable tools ensuring a more regular chip removal than manual scrapers or draw blades.

**Medium:** Potable water / gas / municipal sewage (acc. to EN1085)

During the stripping process, the applicable standards and regulations, accident prevention regulations, as well as the trade associations' provisions shall be observed and complied with. Stripping should be performed by skilled personnel only.

## 2. Assembly / stripping process

1. Before stripping, the pipe ends have to be roughly cleaned by means of a rag.
2. Prepare the stripping device by positioning the knife edge and the sprocket opposite each other.
3. Disengage the holding strap while keeping up the tensioned stripping arm by means of the thumb. Push the pipe insert firmly into the vertically cut pipe until the pipe rests against the sprocket. Now lower the spring-loaded stripping arm to the pipe surface.
4. For stripping the pipe surface, turn the handle clockwise until either the desired stripping length or the end stop is reached.
5. Lift the stripping arm from the pipe surface and pull the pipe insert out of the pipe. Remove the stripping chips without touching the stripped surface.

## 3. Maintenance

Each stripping device is provided with a knife with 4 edges. The knife has to be checked at regular intervals. Do not use the knife anymore when the edge is damaged, blunt, or worn. Exchange the edge at regular intervals.

**If you have any other questions or if you need more information please contact:**

Hawle Armaturen GmbH  
- Application Engineering -  
Liegnitzer Str. 6  
83395 Freilassing  
Phone: +49 (0)8654 6303-0  
Telefax: +49 (0)8654 6303-222  
E-Mail: [info@hawle.de](mailto:info@hawle.de)  
Web: [www.hawle.de](http://www.hawle.de)