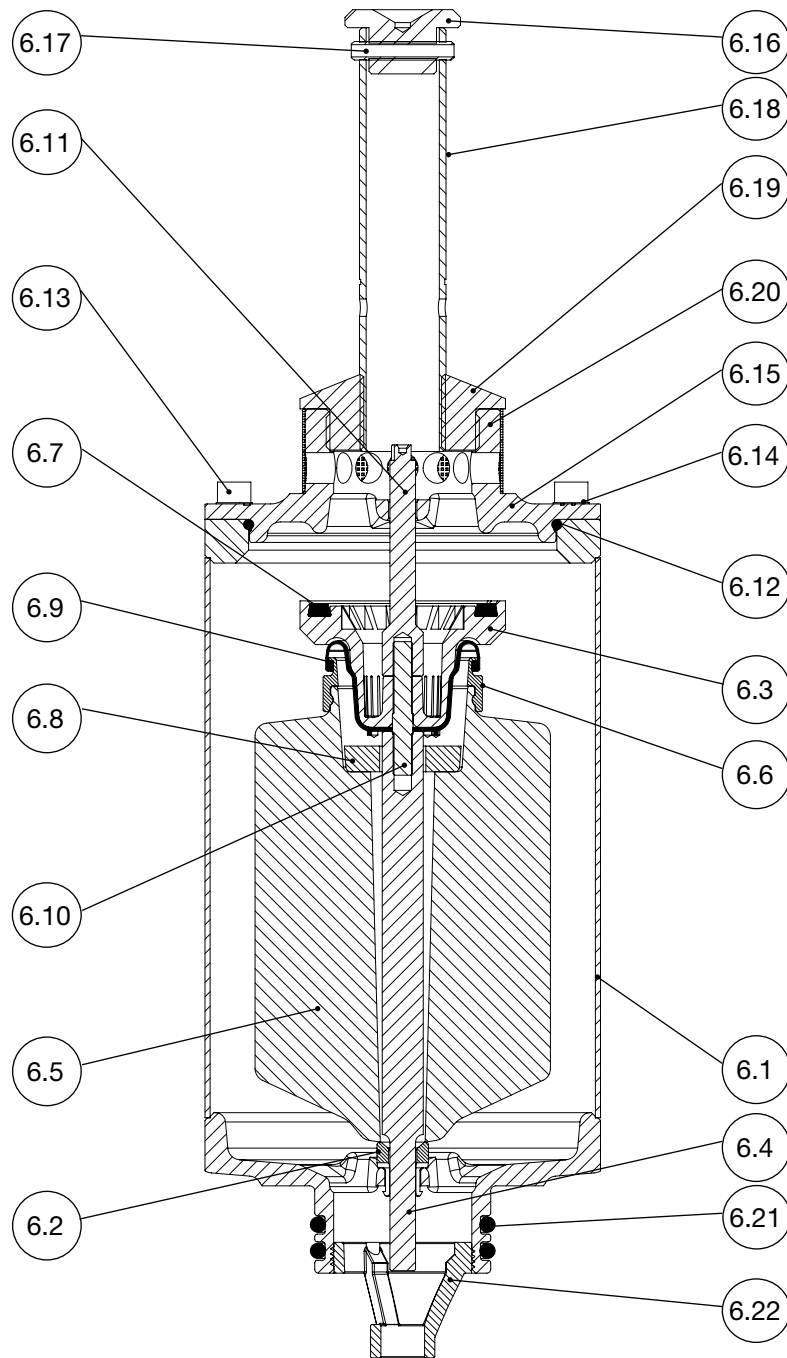


No	Qty	Short description	Material			
1	1	Base	GJS-400 Hawle-epoxy powder coated	7	1	Shaft pipe Stainless steel
2	1	Drain-off fitting	GJS-400 Hawle-epoxy powder coated	8	1	Hexagon head screw M8x60 Stainless steel
3	1	Sealing flange	Brass	9	1	Washer M8 Stainless steel
4	1	Sealing tappet	POM	10	1	Hood PE
5	1	Lock ring	GJS-400 Hawle-epoxy powder coated	11	1	Centring screw with ball Stainless steel
6	1	Replacement set, see separate parts list		12	1	Clamping yoke / spindle holder GJS-400 Hawle-epoxy powder coated
				13	2	AVS rubber plug EPDM

# Replacement set HaVent® for potable water PN 16 for air valve set, Parts list

992-00



No	Qty.	Short description	Material	No	Qty.	Short description	Material
6.1	1	Housing	Stainless steel	6.12	1	O-ring 116x4	EPDM
6.2	1	Closing sleeve	POM	6.13	5	Allen screw M8x16	Stainless steel
6.3	1	Valve basket	POM	6.14	5	Shim ring	Stainless steel
6.4	1	Guide rod	POM	6.15	1	Housing upper part	Stainless steel
6.5	1	Float	PP	6.16	1	Centring cap	Stainless steel
6.6	1	Roll-on diaphragm adaptor	POM	6.17	1	Roll pin	Stainless steel
6.7	1	Flat gasket	EPDM	6.18	1	Operating tube	Stainless steel
6.8	1	Shim	POM	6.19	1	Outlet nipple	POM
6.9	1	Roll-on diaphragm	EPDM	6.20	1	Mesh hose	Stainless steel
6.10	1	Grub screw M8x30	Stainless steel	6.21	2	O-ring 60x6	EPDM
6.11	1	Guide for valve basket	POM	6.22	1	Tripod for AVS	PA