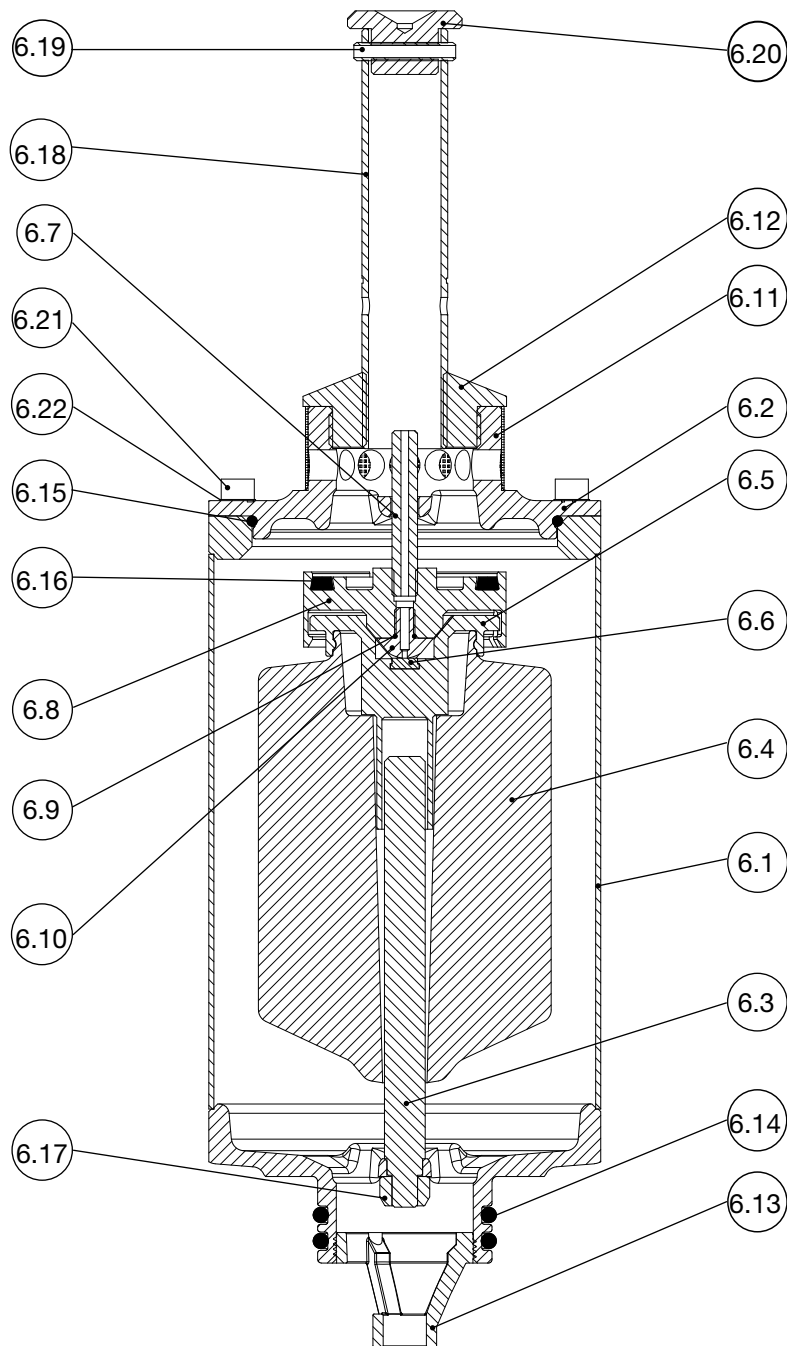


No	Qty.	Short description	Material
1	1	Base	GJS-400 Hawle epoxy powder-coated
2	1	Drain-off fitting	GJS-400 Hawle epoxy powder-coated
3	1	Sealing flange	Brass
4	1	Sealing tappet	POM
5	1	Lock ring	GJS-400 Hawle epoxy powder-coated
6	1	Replacement set, see separate parts list	
7	1	Shaft pipe	Stainless steel
8	1	Hexagon head screw M8x60	Stainless steel
9	1	Washer M8	Stainless steel
10	1	Hood	PE
11	1	Centring screw with ball	Stainless steel
12	1	Clamping yoke / spindle holder	GJS-400 Hawle epoxy powder-coated
13	2	AVS rubber plug	EPDM

# Replacement set HaVent® for potable water PN 25 for air valve set, Parts list

992-01



No	Qty.	Short description	Material
6.1	1	Housing	Stainless steel
6.2	1	Housing upper part	Stainless steel
6.3	1	Guide rod PN25	Stainless steel
6.4	1	Float	PP
6.5	1	Gasket seat	POM
6.6	1	Small gasket	EPDM
6.7	1	Nozzle screw	POM
6.8	1	Valve basket PN25	POM
6.9	1	O-ring 6x1.5	EPDM
6.10	1	Nozzle PN25	Stainless steel
6.11	1	Mesh hose	Stainless steel
6.12	1	Outlet nipple	POM
6.13	1	Tripod	PA
6.14	2	O-ring 60x6	EPDM
6.15	1	O-ring 145x4	EPDM
6.16	1	Flat gasket	EPDM
6.17	1	Nut M10	Stainless steel
6.18	1	Operating tube	Stainless steel
6.19	1	Roll pin	Stainless steel
6.20	1	Centring cap	Stainless steel
6.21	5	Allen screw M8x16	Stainless steel
6.22	5	Shim ring	Stainless steel