



## Hawle water meter chamber 2.0

## Notes to the brochure

The general medium specifications may under certain circumstances be restricted in the product descriptions. In your order or inquiry please always let us know the medium for the particular application.

Should you still have questions about our products, our colleagues in the Application Engineering Department are happy to answer them at any time.



Products for use in the potable water sector



In general the statutory guarantee period of 2 years from delivery at Hawle applies to products sold by us. Due to the high quality of Hawle products, we can grant you a guarantee extension to 5 years for products manufactured by us. Please find more details on the Internet: [www.hawle.de/gewaehreleistung](http://www.hawle.de/gewaehreleistung)



Information on our “10-year guarantee of quality” for Hawle potable water products can be found at the following link: [www.hawle.de/garantie](http://www.hawle.de/garantie)



You can obtain up-to-date information via our free newsletter.  
You can find the registration at [www.hawle.de/newsletter](http://www.hawle.de/newsletter)

# Hawle water meter chamber 2.0

The Hawle water meter chamber 2.0 was developed for domestic water connections and is particularly suitable for new builds or renovation cases.

Furthermore the water meter chamber 2.0 can be used in building areas with a risk of pressing ground water or flooding. The chamber body seals reliably against externally pressing water. The special external shape prevents the chamber from floating, and the chamber can be fastened to a foundation using the existing lugs. For an easy reading of the water meter or for maintenance purposes, the meter fitting installed in the water meter chamber can be removed under operating pressure. The plug integrated in the shut-off valve automatically shuts off when the meter fitting is removed, thus avoiding the need for additionally shutting off the potable water pipeline.

The water meter fitting can be operated with common analogue and digital water meters ( $Q_3 = 2.5 - 4$ ). The use of digital water meters allows convenient readings by the operator using remote reading devices. For this purpose a special chamber cover can be used for the integration of an external antenna. The separately available Hawle water meter chamber cover is available in versions B125 (weight 12.5 t) for parking areas / sidewalks and A15 (weight 1.5 t) for green spaces /



Water meter chamber 2.0

Outlet: ZAK 46 socket with integrated push-fit fitting connection d 40

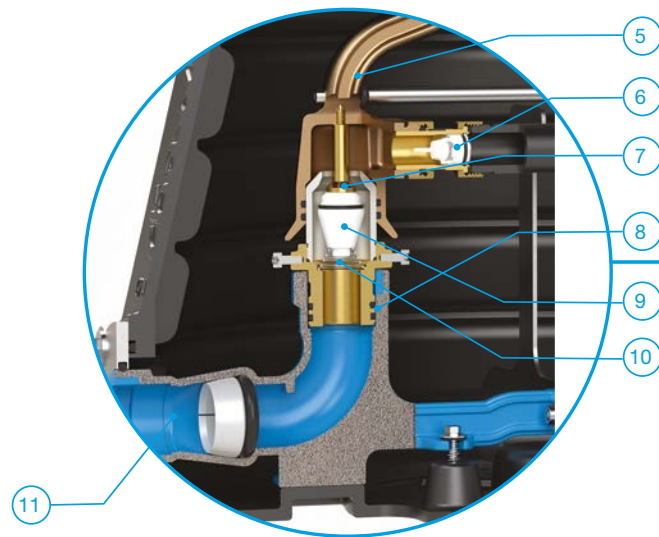
parks. Thanks to the flexible height adjustment of the water meter chamber cover, a height adjustment of 0-30 cm can be made. The water meter chamber 2.0 is available in pipe cover depths of 1.0 m, 1.25 m and 1.50 m and with two ZAK 46 socket outlet variations with integrated push-fit fitting for PE pipes of d 40.

## Technical features

- easy removal of the meter fitting
- automatic shut-off when meter fitting is removed
- operator-friendly changeover of water meters
- meter fitting can be removed while under pressure
- dirt-resistant shut-off valve
- shut-off valves in the chamber replaceable via proven ZAK® system
- integrated back flow preventer
- for standard water meters  $Q_3 = 2.5 - 4$  (face-to-face length 190 mm)
- max. operating pressure PN 10
- flexible connection to different pipe systems via proven ZAK® system
- no angle seat shut-off unit necessary thanks to integrated automatic shut-off
- available pipe cover depths 1.00 m, 1.25 m, 1.50 m
- ZAK® 46 socket connection versions with integrated push-fit fitting connection d 40
- weight of the water meter chamber cover 12.5 t (B 125) or 1.5 t (A 15)
- adaptation of pipe cover depth with aid of the chamber cover (0 - 30 cm)
- usable as a construction water chamber with blind connection
- quick conversion from construction water connection to meter fitting
- pressurized-water-protected chamber with float protection
- own chamber cover for integration of an external antenna

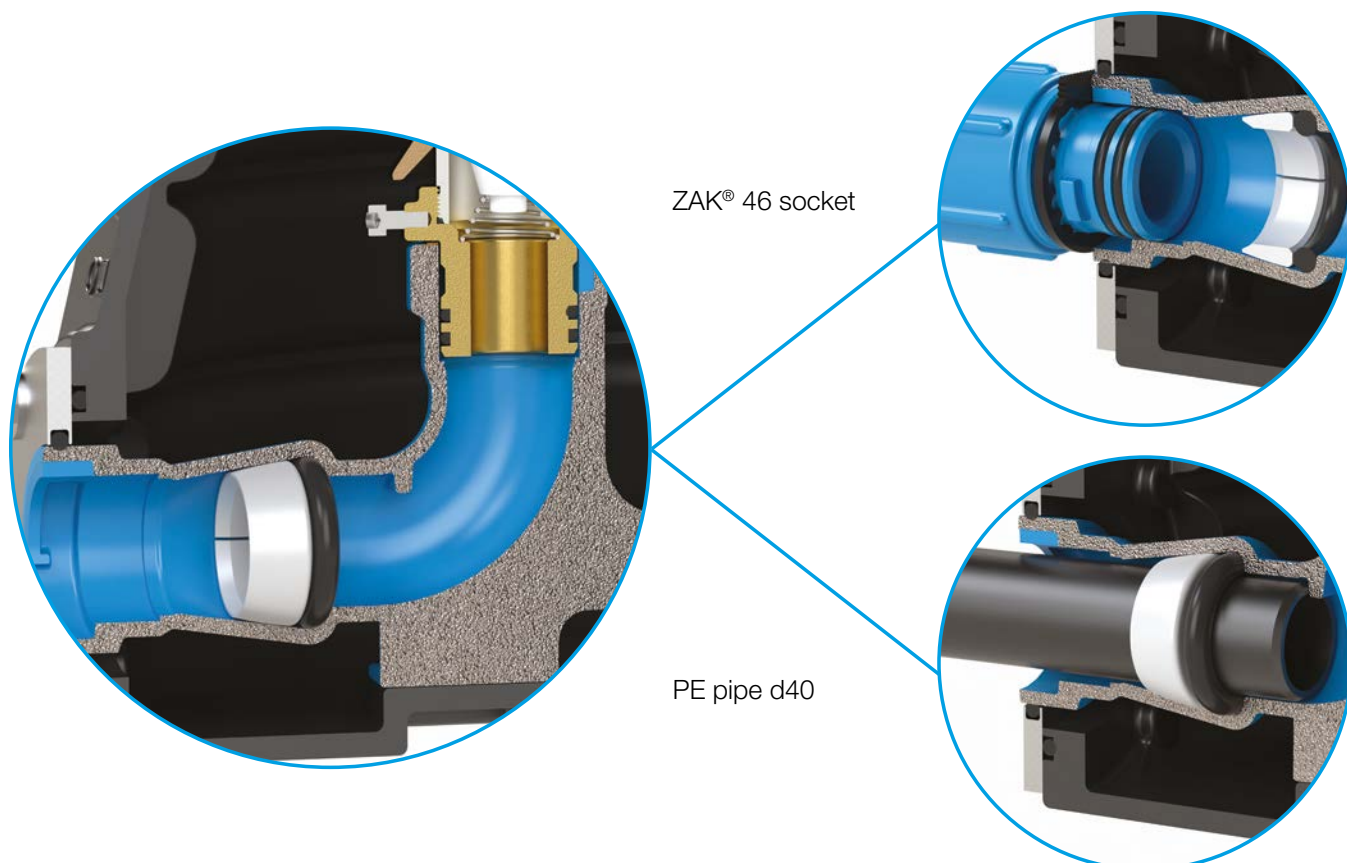
# Construction: Water meter chamber 2.0

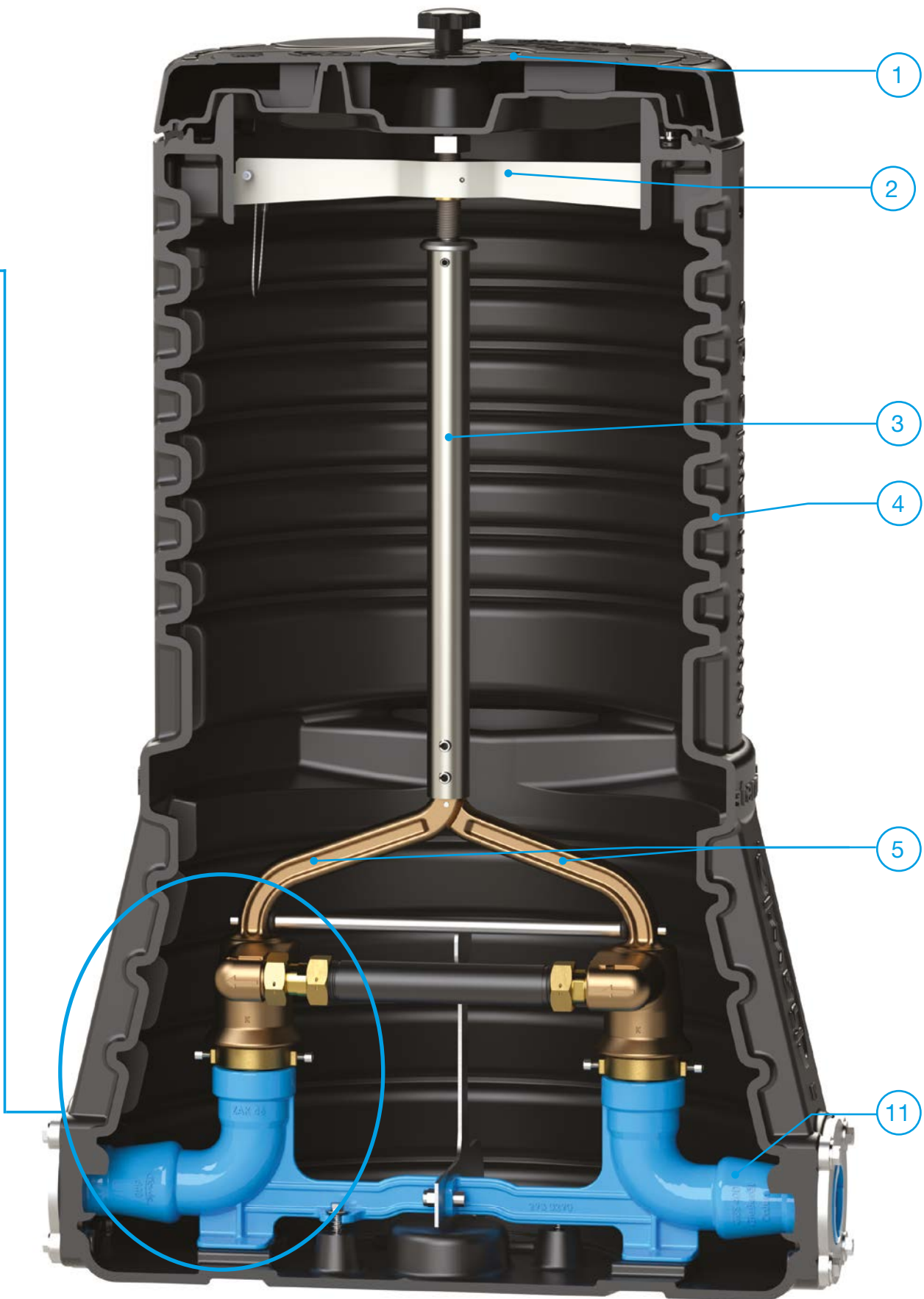
No.	Brief description	Material
1	Chamber cover Water pressure-tight	PP
2	False frame	stainless steel
3	Mounting pipe	stainless steel
4	Chamber	PE
5	Meter fitting	gunmetal
6	Back flow preventer	POM
7	Plunger	brass
8	Double O-ring seal	EPDM
9	Plug	POM
10	Pressure spring	stainless steel
11	ZAK 46 socket with integrated push-fit fitting connection d 40	GJS-400, Hawle epoxy powder coated



## 1 outlet - 2 options

Thanks to the integrated ZAK® socket, all fittings with ZAK® spigot end and PE pipes d40 can be connected to the outlet.

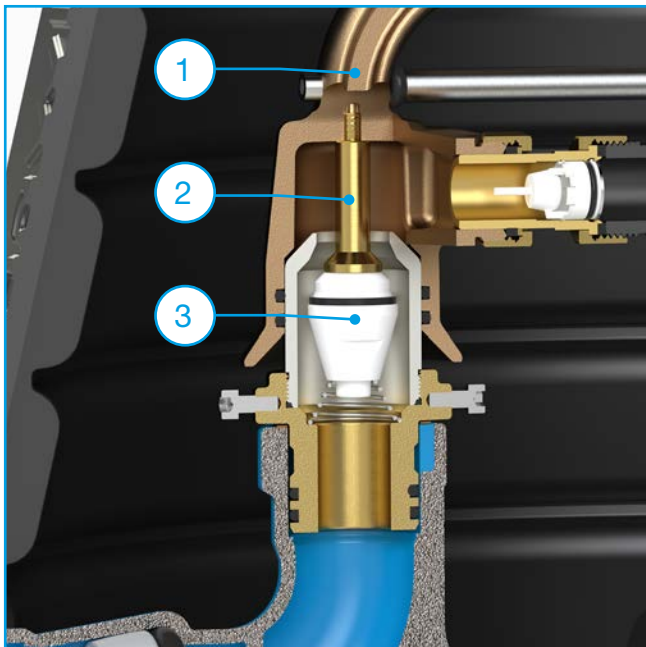






# Sealing and removal of the meter fitting

## Sealing the meter fitting:



During installation the meter fitting (1) presses open the plug (3) with the help of the plunger (2), creating the water flow. A complete sealing of the connection is secured during installation.

When the meter fitting is being dismantled, the plug closes beforehand. Consequently no water escapes during the undocking process. Only after the second O-ring is no longer acting as a seal does the remaining residual water from the meter run into the chamber and can then be removed with suction apparatus.

## Removing the meter fitting:

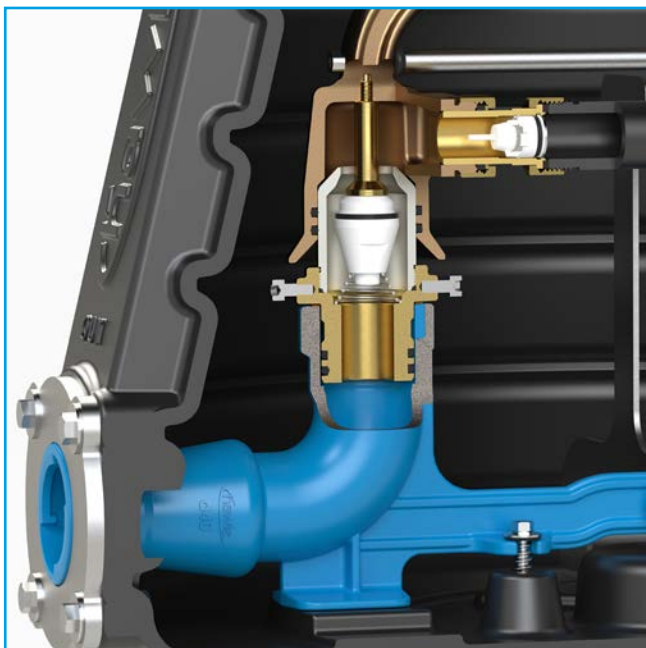


Illustration: attached shut-off valve

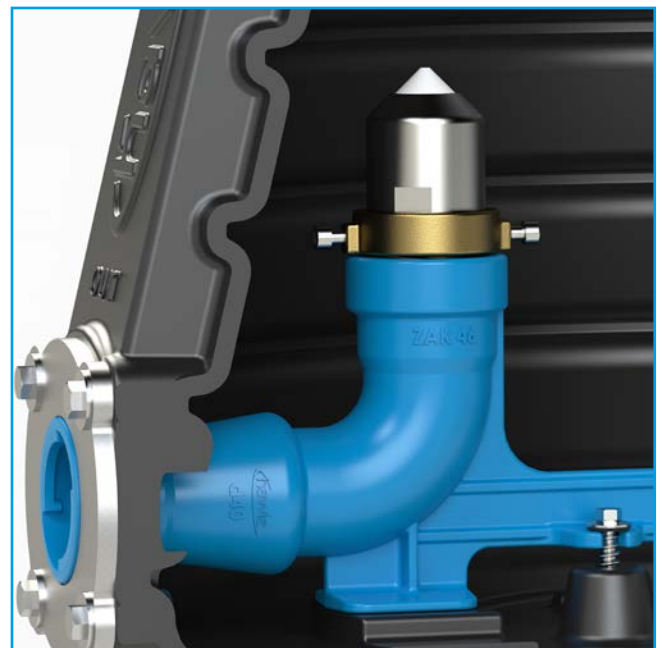
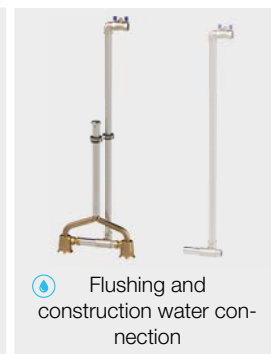
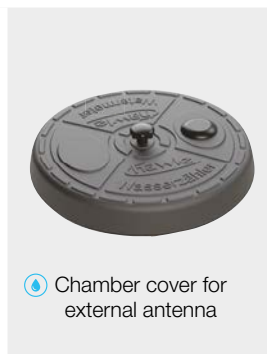
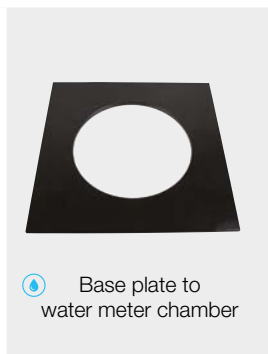
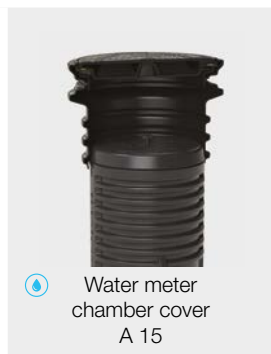
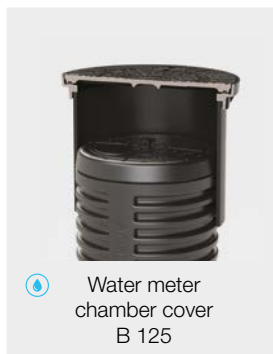


Illustration: quick and easy removal of the shut-off valve via the Hawle ZAK® system. Shut-off valve has reduced susceptibility to dirt thanks to conical construction.

# Height adjustability / suitable accessories

Height adjustability:



## Maximum operating pressure

No.:	Description	Maximum operating pressure	Properties
205-01	Water meter chamber cover B 125	-	Inscription: "Water meter" Weight of chamber cover 12.5 t Material: GJS 400
205-01	Water meter chamber cover A 15	-	Inscription: "Water meter" Weight of chamber cover 1.5 t Material: PE
204-10	Base plate to water meter chamber	-	Material: PE black
-	Chamber cover for external antenna	-	Improvement of wireless range of digital water meters
298-01	Flushing and construction water connection	10 bar	e.g. for draw-off of construction water Material: gunmetal / stainless steel



Hawle Armaturen GmbH  
Liegnitzer Straße 6  
83395 Freilassing  
Germany

Tel.: +49 8654 6303-0  
Fax: +49 8654 6303-111

info@hawle.de  
www.hawle.de

® For more detailed information on our brands, please contact us at [info@hawle.de](mailto:info@hawle.de) or visit us at our home page at [www.hawle.de](http://www.hawle.de).

We supply under our well known General Terms and Conditions (T&Cs), which are available to download.  
All illustrations, technical data, dimensions and weights are subject to confirmation. Subject to change without notice. Last update: 05/2024